

ELECTRODE DRESSING CUTTERS AND ACCESSORIES

NSRW Co., Inc. (800) 933-6779, FAX: (205) 663-3221 Authorized Distributor CMW Inc.

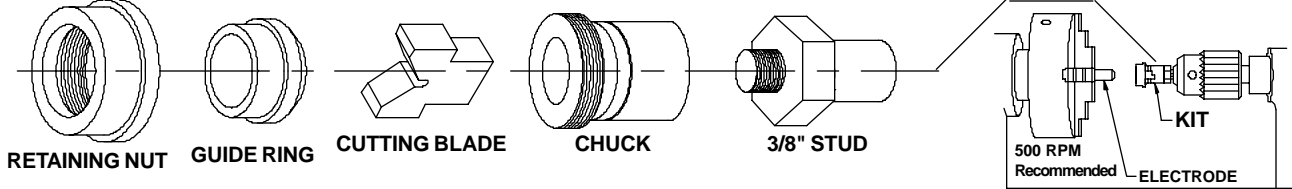


ELECTRODE DRESSING ACCESSORIES

| | | | | | | | | |
|---|--|------------------------|---------------------------|------------------------|-----------------------------|-----------------------------|-----------------------------|------------------------------|
| TO DRESS Standard RWMA 4 (#1 MT) | | | | | | | | |
| | NOSE STYLE (CMW ELECTRODE NO.) | DOME x11x... | POINTED x21x... | FLAT x31x... | 2" RADIUS x51x... | 3" RADIUS x81x... | 4" RADIUS x91x... | 10" RADIUS x61x... |
| KIT** TO ORDER | 18-1390411 | 18-1390420 | 18-1390410 | 18-1390413 | 18-1390414 | 18-1390415 | 18-1390416 | 18-1390412 |
| Replacement Blade (for above kit) | 18-139411 | 18-139420 | 18-139410 | 18-139413 | 18-139414 | 18-139415 | 18-139416 | 18-139412 |
| Replacement Guide Ring (for above kit) | 18-139401 | 18-139402 | 18-139401 | 18-139401 | 18-139401 | 18-139401 | 18-139401 | 18-139401 |

****Note:** Each Kit includes Stud (for 3/8" keyed chuck), Chuck, 1 Guide Ring, 1 appropriate Blade, and Retaining Nut.

This kit is appropriate for use with either Pneumatic Power Tool (18-1310) or any rotary device with 3/8" keyed chuck. The Pneumatic Power Tool is recommended for dressing while installed in the welder.



| | | | | | | | | |
|---|--|------------------------|---------------------------|------------------------|-----------------------------|-----------------------------|-----------------------------|------------------------------|
| TO DRESS Standard RWMA 5 (#2 MT) | | | | | | | | |
| | NOSE STYLE (CMW ELECTRODE NO.) | DOME x12x... | POINTED x22x... | FLAT x32x... | 2" RADIUS x52x... | 3" RADIUS x82x... | 4" RADIUS x92x... | 10" RADIUS x62x... |
| KIT** TO ORDER | 18-1390511 | 18-1390520 | 18-1390510 | 18-1390513 | 18-1390514 | 18-1390515 | 18-1390516 | 18-1390512 |
| Replacement Blade (for above kit) | 18-139511 | 18-139520 | 18-139510 | 18-139513 | 18-139514 | 18-139515 | 18-139516 | 18-139512 |
| Replacement Guide Ring (for above kit) | 18-139501 | 18-139502 | 18-139501 | 18-139501 | 18-139501 | 18-139501 | 18-139501 | 18-139501 |

Note: Cutters are not designed to conform to "Electrode Cap" geometries. Caps are intended for metal value salvage when expended.

ELECTRODE DRESSERS



NSRW Co., Inc. (800) 933-6779, FAX: (205) 663-3221 Authorized Distributor CMW Inc.

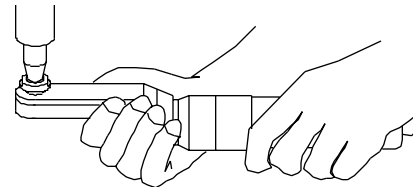
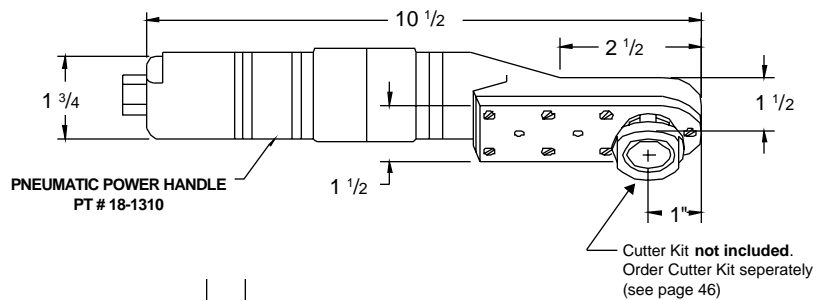
PNEUMATIC POWER HANDLE FOR ELECTRODE DRESSING PART NO. 18-1310

Light weight and rugged construction, this CMW Pneumatic Power Handle requires a clearance of only 1 1/2" with a standard ring and 2" with an extended ring. In most situations this allows dressing of electrodes without removal from the welder. Operating at a cutting speed of 1200 RPM, it enables the operator to dress electrodes quickly and accurately. Cutters and guide rings are easily replaced. These must be matched to the electrode nose and are selected from the chart on page 46.

CMW Electrode Dresser 18-1310 is supplied without blade holder, ring and cutter blade. When ordering, specify the "Kit" appropriate for your dressing needs as selected from the table on page 46.

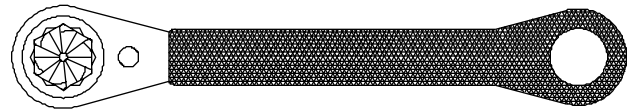
(The "stud" furnished with the "Kit" is not required when using the Pneumatic Power Handle. It may optionally be used, but will increase the clearance required on the welder for dressing).

Additional special cutters can be furnished upon request.



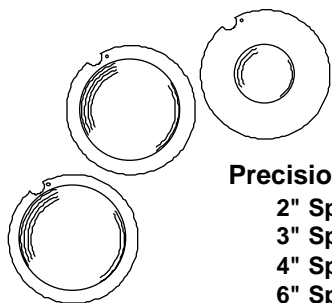
Electrode Dresser — Part No. 18-1307

The Electrode Dresser quickly removes the "mushroomed" portions of spot welding electrodes and renews 4RW or 5RW Taper, dome or pointed electrodes with the proper operating contour. The Electrode Dresser re-machines *both* upper and lower electrodes to the correct profile "on the job"—provided both electrodes are identical—without removal of the electrodes from their holders. Dresser is 10" long, with a replaceable cutter of hardened tool steel.



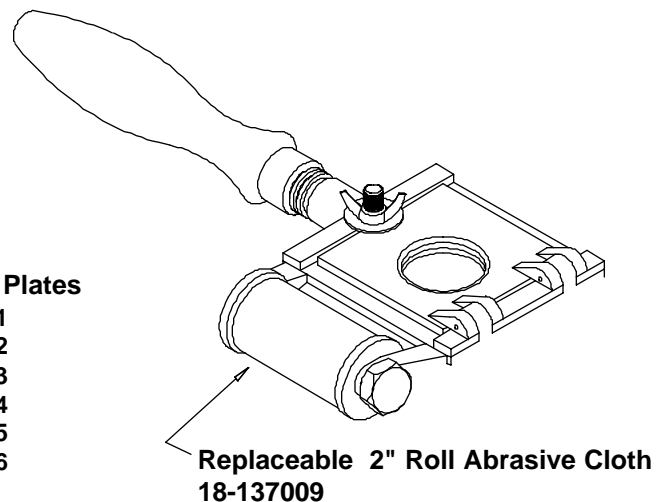
Order replaceable cutters by—18-130701
Order replaceable handle by—18-130702

ELECTRODE DRESSER PART NO. 18-1370



Precision Ground Contour Plates

- 2" Sphr. Rad. - 18-137001
- 3" Sphr. Rad. - 18-137002
- 4" Sphr. Rad. - 18-137003
- 6" Sphr. Rad. - 18-137004
- 8" Sphr. Rad. - 18-137005
- 10" Sphr. Rad. - 18-137006



Electrodes Dressed to Any Radius Without Removal from Welder

In certified resistance welding and where clean, strong welds are necessary on a production basis the Maintain-A-Contour Dresser pays big dividends. Its use not only assures consistent quality welds in aircraft metals, but saves valuable production time in all dressing operations.

The Maintain-A-Contour Dresser is supplied with a spool of 240 grit cloth, and one set of (2 per set) precision ground contour plates. Specify the size radius (2"—3"—4"—6"—8"—10") plates required.

Plates with special radii are available on special request. The abrasive cloth is standard 2" width.