

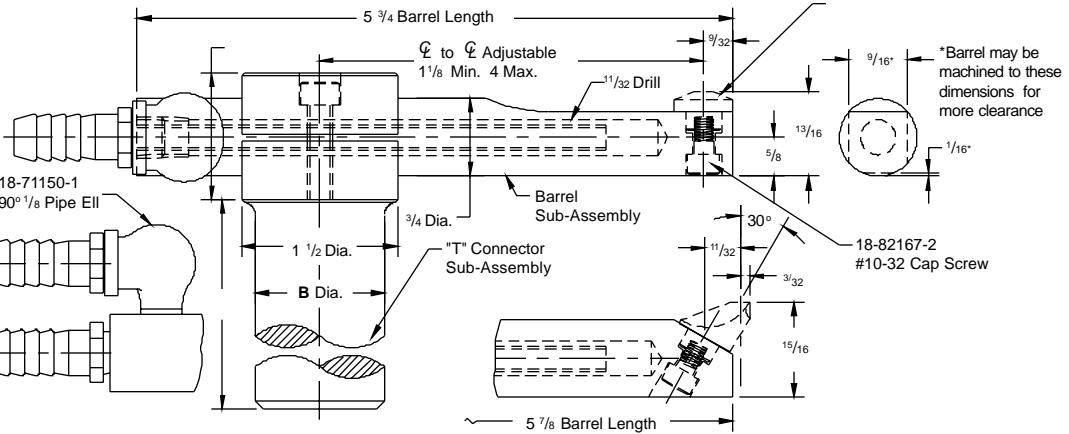
# 900 SERIES LIGHT DUTY WATER COOLED UNIVERSAL HOLDER

NSRW Co., Inc. (800) 933-6779, FAX: (205) 663-3221 Authorized Distributor CMW Inc.



\*\*Note: Sold as a sub-assembly.  
Water nipple—tube assembly  
18-90041-1  
Water nipple 18-10050  
#10-32 cap screw 18-82167-2  
90° 1/8 pipe ell 18-71150-1

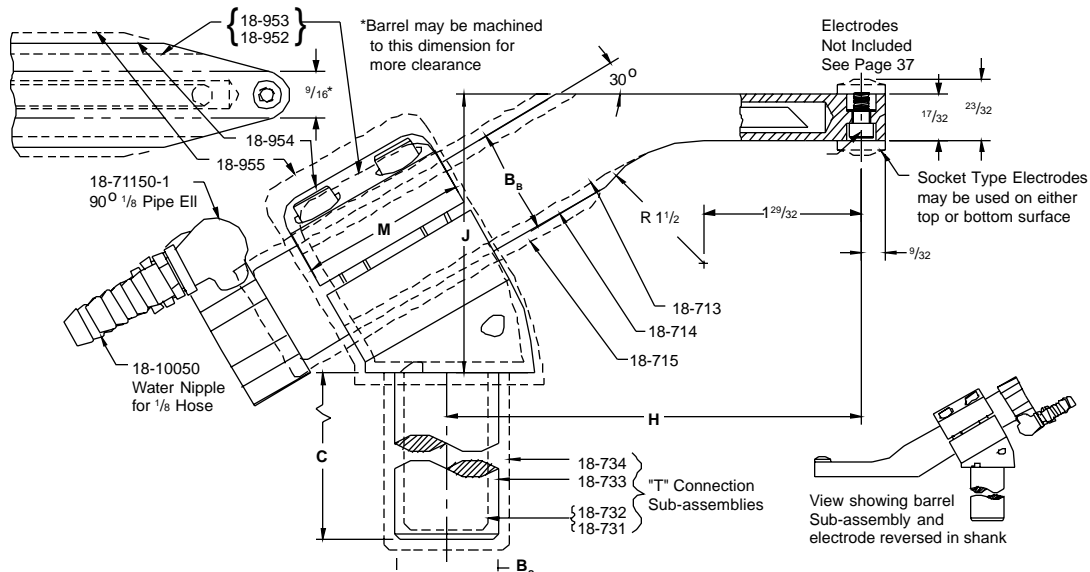
May be purchased separately  
18-71150-1  
90° 1/8 Pipe Ell  
18-10050 Water Nipple for 3/8 Hose  
18-90041-1 Water Nipple Tube Assembly for 3/8 Hose



HOLDER ASSEMBLY PART NUMBER	Holder Angle	B Shank Dia.	Barrel Sub-Assembly**	"T" Connection*	Barrel*
<b>18-901</b>	90°		18-709		18-70910-1
<b>18-902</b>	30°	3/4	18-710	18-720	18-71010-1
<b>18-903</b>	90°		18-709		18-70910-1
<b>18-904</b>	30°	7/8	18-710	18-721	18-71010-1
<b>18-905</b>	90°		18-709		18-70910-1
<b>18-906</b>	30°	1	18-710	18-722	18-71010-1
<b>18-907</b>	90°		18-709		18-70910-1
<b>18-908</b>	30°	1 1/4	18-710	18-723	18-71010-1

Holders of Other Shank Diameters and Lengths or Design Modifications Are Available on Request as Specials.

# 950 SERIES WATER COOLED PADDLE HOLDER



The Paddle Holder's heavy duty construction enables it to be used at high pressures in hard to reach spots. A minimum clearance is required. The barrel is adjustable in the "T" connection by both rotation and amount of offset.

HOLDER ASSEMBLY PART NUMBER	HOLDER SIZE						Barrel Sub-Assembly**	"T" Connector
	B Barrel Dia.	B <sub>s</sub> Shank Dia.	C Shank Length	H Offset Range	J Height Range	M "T" Width		
<b>18-952</b> <b>18-953</b>	1	7/8 1	3	3 <sup>3</sup> / <sub>8</sub> to 5 <sup>3</sup> / <sub>32</sub>	2 <sup>1</sup> / <sub>16</sub> to 3 <sup>1</sup> / <sub>16</sub>	1 1/2	18-713	18-731 18-732
<b>18-954</b> <b>18-955</b>	1 1/4 1 1/2	1 1/4 1 1/2	3 1/2 4	4-5 <sup>23</sup> / <sub>32</sub> 4 <sup>7</sup> / <sub>32</sub> -5 <sup>15</sup> / <sub>16</sub>	2 <sup>3</sup> / <sub>4</sub> -3 <sup>3</sup> / <sub>4</sub> 2 <sup>7</sup> / <sub>8</sub> -3 <sup>7</sup> / <sub>8</sub>	1 3/4 2	18-714 18-715	18-733 18-734

Holders of other Shank Dia. and Lengths or Design Modifications are available on request as Specials.

\*\*Note: Sold as a sub-assembly  
Water nipples 18-10050  
90° 1/8 pipe ells 18-71150-1  
# 10-32 cap screw 18-82167-2  
May be purchased separately.

These 30° "T" connector may be interchanged with the 90° Universal Type "T" Conn. page 35. See page 28 for suggested set ups.