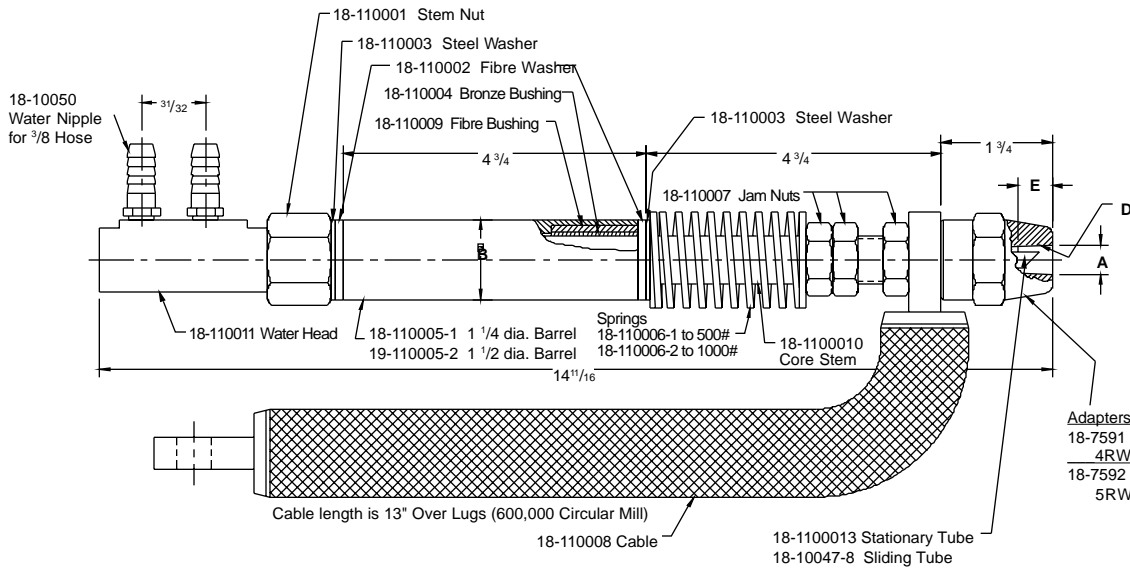


# 1100 SERIES ADJUST-A-PRESSURE WATER COOLED LOW INERTIA ELECTRODE HOLDERS

NSRW Co., Inc. (800) 933-6779, FAX: (205) 663-3221 Authorized Distributor CMW Inc.



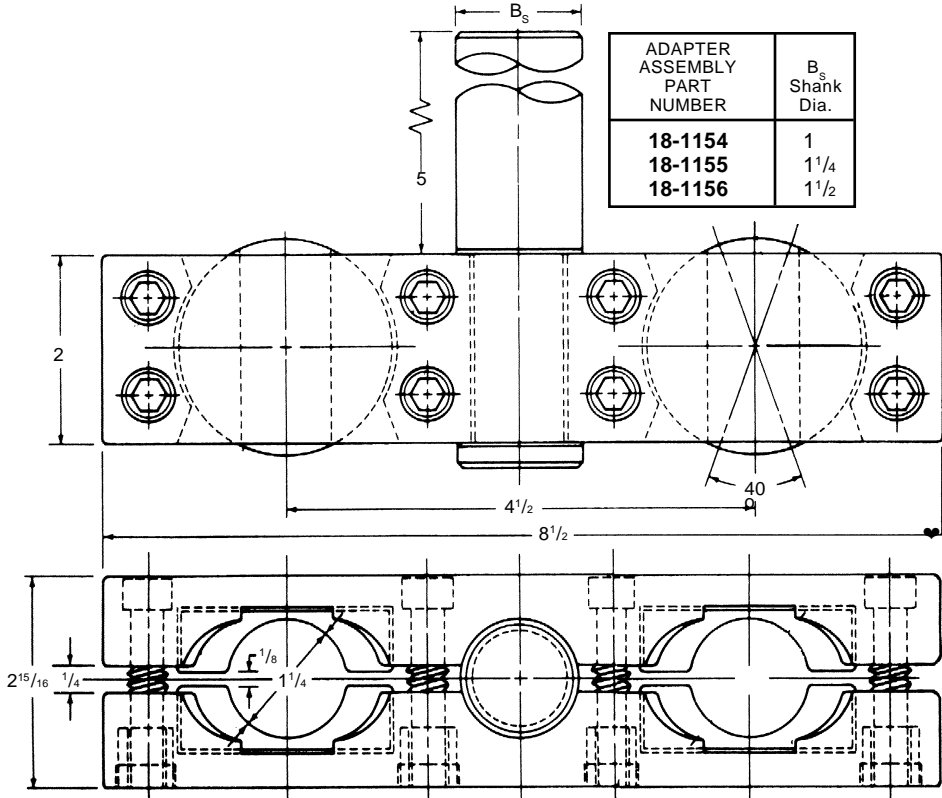
Like other low-inertia holders the heavy duty Adjust-A-Pressure Holders are used for multiple spot and projection welding, and are excellent for indirect welding when mounted in the Adjust-A-Angle Adapter.

Electrical current is conducted through heavy flexible cables and the holder is insulated to prevent any damaging effects to the spring mechanism. Light duty springs supplied to order.

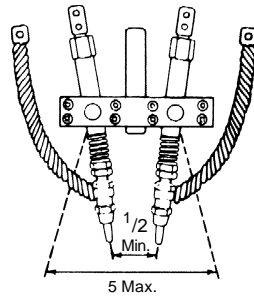
HOLDER ASSEMBLY PART NUMBER	A Major Taper Dia.	B Barrel Dia.	D Taper	E Standard Electrode Taper Engagement	PRESSURE Range (Pounds)
18-1101	.463	1 1/4	4RW 1MT	1/2	TO
18-1102	.625	1 1/4	5RW 2MT	3/4	
18-1103	.463	1 1/2	4RW 1MT	1/2	500
18-1104	.625	1 1/2	5RW 2MT	3/4	

STANDARD ASSEMBLY USES 18-110006-1 SPRING

## 1150 SERIES ADJUST-A-ANGLE ADAPTERS



ADAPTER ASSEMBLY PART NUMBER	B <sub>s</sub> Shank Dia.
18-1154	1
18-1155	1 1/4
18-1156	1 1/2



### 1100 SERIES HOLDERS ASSEMBLED IN 1150 SERIES ADAPTER

1150 series adjust-a-angle adapters are adaptable for use with spring type low inertia holders 1100 series as well as straight holders 100, 200, and 300 series.

ADAPTERS FOR BARREL SIZES OTHER THAN 1 1/4 DIA. MADE ONLY TO SPECIAL ORDER