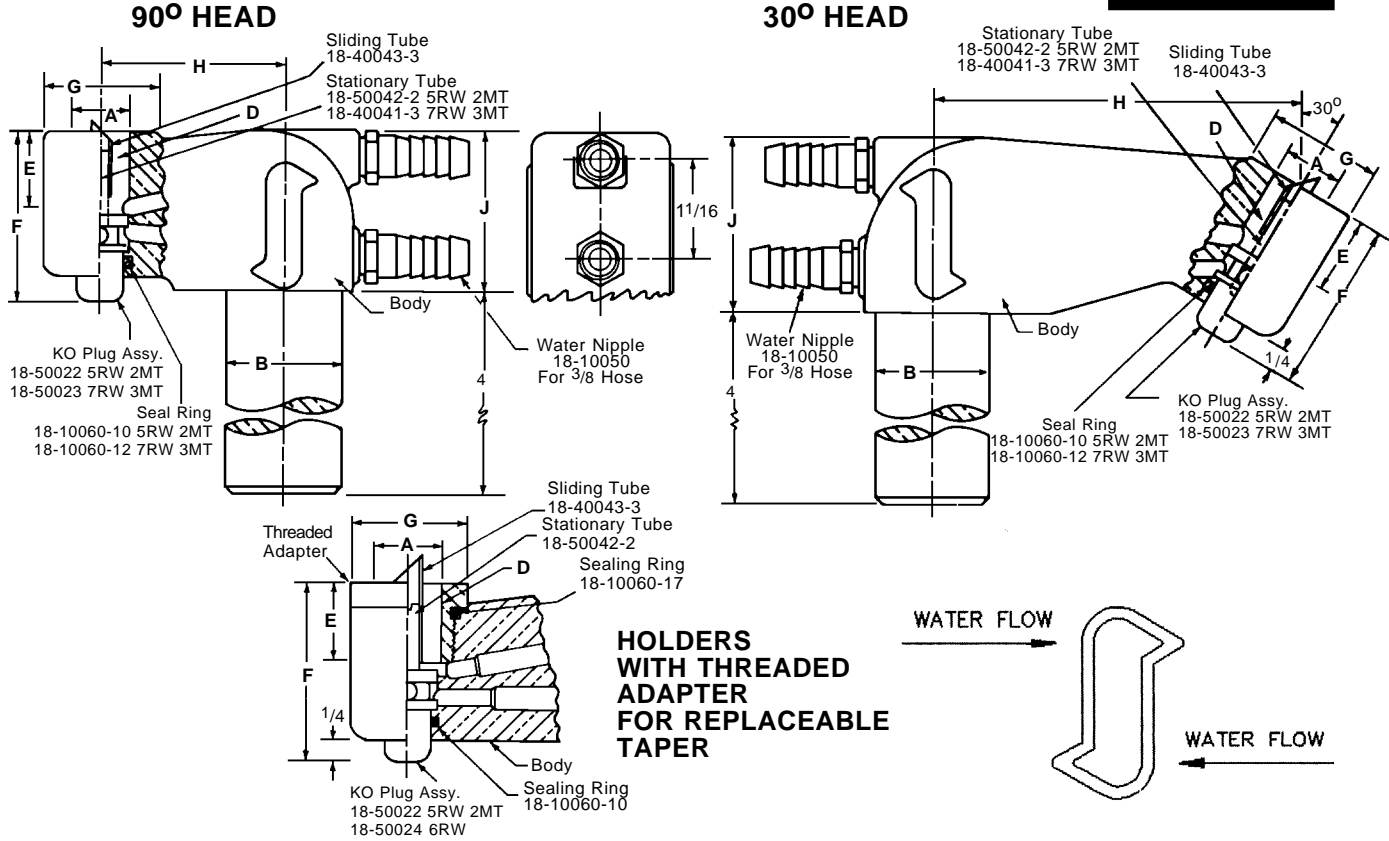


# 500 SERIES PREMIUM (EJECTOR) WATER COOLED OFFSET HOLDERS

NSRW Co., Inc. (800) 933-6779, FAX: (205) 663-3221 Authorized Distributor CMW Inc.



HOLDER ASSEMBLY NUMBER	Angle of Head	Major Taper Dia. A	Shank Dia. B	Taper D	Std. Taper Engagement E	Head Height F	Head Dia. G	C.L. Shank Offset H	Head Thickness J	Threaded Adapter Part No.
------------------------	---------------	--------------------	--------------	---------	-------------------------	---------------	-------------	---------------------	------------------	---------------------------

### HOLDERS

18-502 18-503 18-504	90°	.625	1 1 1/4 1 1/2	5RW 2MT	3/4	1 13/16	1 1/4	2	1 23/32	_____
18-505 18-506	90°	.875	1 1/4 1 1/2	7RW 3MT	1 1/8	2 7/32	1 1/2	2	_____	_____
18-522 18-523 18-524	90°	.625	1 1 1/4 1 1/2	5RW 2MT	3/4	1 13/16	1 1/4	4	_____	_____
18-525 18-526	90°	.875	1 1/4 1 1/2	7RW 3MT	1 1/8	2 7/32	1 1/2	4	_____	_____
18-562 18-563 18-564	30°	.625	1 1 1/4 1 1/2	5RW 2MT	3/4	1 13/16	1 5/16	4	1 7/8	_____
18-565 18-566	30°	.875	1 1/4 1 1/2	7RW 3MT	1 1/8	2 7/32	1 9/16	4	_____	_____

### HOLDERS WITH THREADED ADAPTER

18-5035 18-5036	90°	.625 .750	1 1/4	5RW 2MT 6RW	3/4 7/8	1 13/16 1 15/16	1 1/4	2	_____	18-7875 18-7876
18-5045 18-5046	90°	.625 .750	1 1/2	5RW 2MT 6RW	3/4 7/8	1 13/16 1 15/16	1 1/4	2	1 23/32	18-7875 18-7876
18-5235 18-5236	90°	.625 .750	1 1/4	5RW 2MT 6RW	3/4 7/8	1 13/16 1 15/16	1 1/4	4	_____	18-7875 18-7876
18-5245 18-5246	90°	.625 .750	1 1/2	5RW 2MT 6RW	3/4 7/8	1 13/16 1 15/16	1 1/4	4	_____	18-7875 18-7876
18-5635 18-5636	30°	.625 .750	1 1/4	5RW 2MT 6RW	3/4 7/8	1 13/16 1 15/16	1 1/4	4	1 7/8	18-7875 18-7876
18-5645 18-5646	30°	.625 .750	1 1/2	5RW 2MT 6RW	3/4 7/8	1 13/16 1 15/16	1 1/4	4	_____	18-7875 18-7876

ORDER BY CMW PART NUMBER ONLY