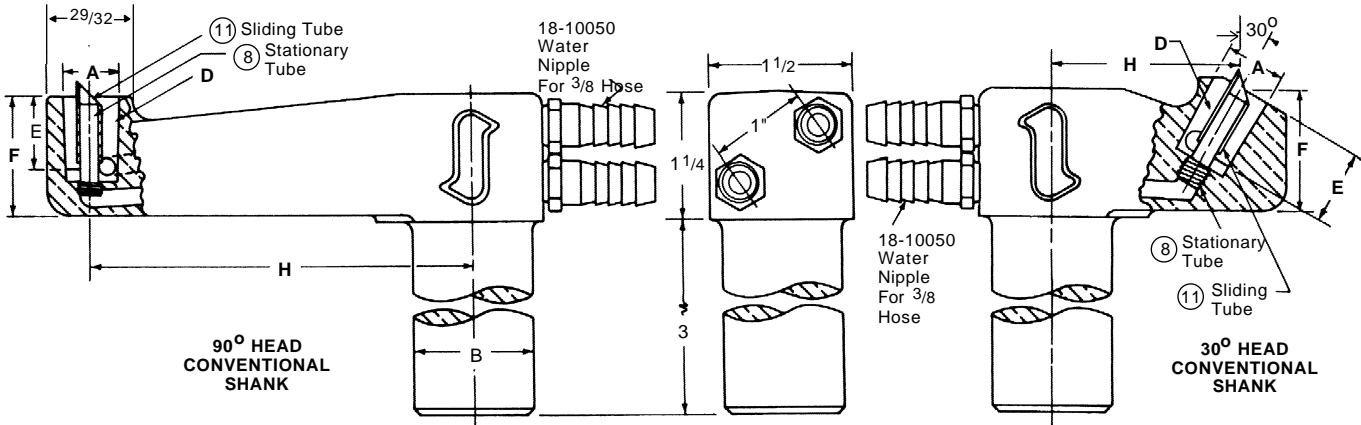


400 SERIES OFFSET (NON-EJECTOR) WATER COOLED ELECTRODE HOLDERS

NSRW Co., Inc. (800) 933-6779, FAX: (205) 663-3221 Authorized Distributor CMW Inc.

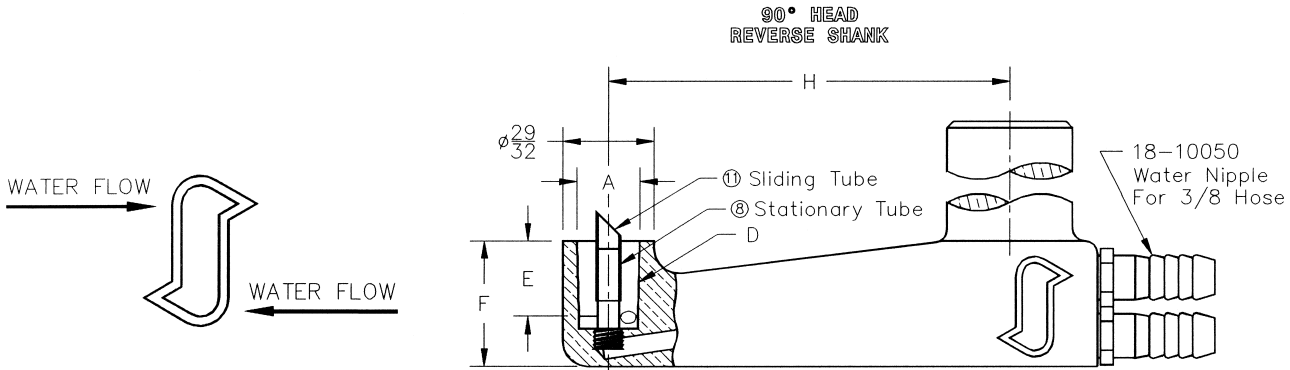


CONVENTIONAL SHANK

HOLDER ASSEMBLY NUMBER	Angle of Head	HOLDER SIZE						⑧ Stationary Tube	⑪ Sliding Tube	Angle of Head	HOLDER ASSEMBLY NUMBER
		A Major Taper Dia.	B Shank Dia.	D Taper	E Engagement with Std. Electrode	F Head Height	H Offset				
18-402 18-403 18-404	90°	.463	7/8 1 1-1/4	4RW 1MT	1/2	1-1/16	2	18-40041-1	18-40043-1	90°	_____
18-407 18-408 18-409	90°	.625	7/8 1 1-1/4	5RW 2MT	3/4	1-1/4	2	18-40041-1	18-40043-2	90°	_____
18-422 18-423 18-424	90°	.463	7/8 1 1-1/4	4RW 1MT	1/2	1-1/16	4	18-40041-1	18-40043-1	90°	18-433
18-428 18-429	90°	.625	1 1-1/4	5RW 2MT	3/4	1-1/4	4	18-40041-1	18-40043-2	90°	18-439
18-442 18-443 18-444	30°	.463	7/8 1 1-1/4	4RW 1MT	1/2	1	2	18-40041-1	18-40043-1	30°	_____
18-448 18-449	30°	.625	1 1-1/4	5RW 2MT	3/4	1-1/4	2	18-40041-1	18-40043-2	30°	_____
18-462 18-463 18-464	30°	.463	7/8 1 1-1/4	4RW 1MT	1/2	1	4	18-40041-1	18-40043-1	30°	_____
18-468 18-469	30°	.625	1 1-1/4	5RW 2MT	3/4	1-1/4	4	18-40041-1	18-40043-2	30°	_____

Holders of other shank diameters and lengths or tapers and with Reverse Shank are available on request.

REVERSE SHANK



ORDER BY CMW PART NUMBER ONLY